

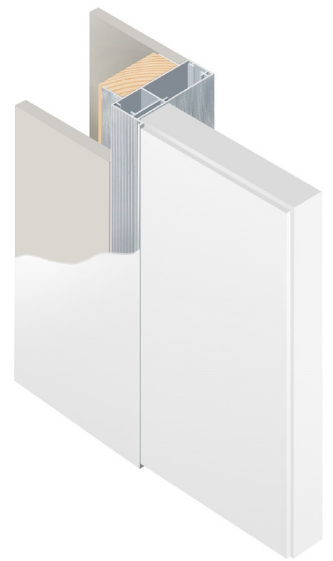


New TruQuote[®] Functionality Simplifies Coordination with Dorr Houzzer[™] Trimless Door Frames

To deliver a more seamless solution to our customers looking to install TruStile doors into modern inswing applications, we are pleased to announce new options that will greatly simplify the coordination process.

TruStile MDF flush door styles can now be configured for rabbeted edges and hinge preps compatible with both the Dorr Houzzer Ghost and Phantom trimless frames.

This allows Dorr Houzzer and TruStile Dealers to receive a TruStile door ready to hang into these frames without further field modification. This offering is currently designed for TruStile dealers that are set up to purchase frames directly with Dorr Houzzer.



Inswing door jamb with TruStile TMF1000 MDF rabbeted edge door

SPECIFICATIONS:

- Available for [TruStile MDF TMF1000 flush doors](#) and similar flush door styles with kerf cut reveals
- Sizes up to 4' × 10'
- For 1-³/₄" and 2-¹/₄" doors
- Doors prepped to match frame manufacturer specifications; frames must be ordered separately directly from the manufacturer
 - To ensure hinge and hardware locations match their jambs, Dealers are responsible for ensuring door hinge and hardware specifications match jamb order
- [Dorr Houzzer Ghost 1-³/₄" frames](#)
- [Dorr Houzzer Phantom 2-¹/₄" frames](#)

EASE OF ORDERING FOR DEALERS:

- Order doors through TruQuote
- For "Jamb" selection choose "Prep Only for other Jamb Manufacturing"
- Provide TruQuote door specifications to jamb manufacturer and order jamb package direct from manufacturer
 - Dealers are responsible for coordinating the orders of the jambs and doors as required by the project
- See step-by-step TruQuote ordering process on the next page

How to Order Door Prep for Modern Inswing

1. Begin by specifying a single MDF TMF1000 Flush door, or similar door style having kerf cut reveals, with the opening set to swing. You will need to open Advanced Options in order to select the Jamb type "Prep Only for Other Jamb Mfg."

Main Machining Custom Drawings

Opening Type: Swing

Leaf Count: Single

Jamb: Prep Only for Other Jamb Mfg

Prep Only for Other Jamb Mfg

Door Handing

Door Beveling

Door Style: TMF1000

Door Top: Square

Main Machining Custom Drawings

Opening Type: Swing

Leaf Count: Single

Jamb: Prep Only for Other Jamb Mfg

Prep Only for Other Jamb Mfg

Door Handing

Door Beveling: Bevel Lock Side

Door Style: TMF1000

Door Top: Square

2. Once selected, a new field will become available displaying the options of inswing jamb preps. Choose the inswing jamb prep matching your preferred model.

Main Machining Custom Drawings

MATERIAL & FIRE RATING

Material:

Fire Rating:

DIMENSIONS

Dimension Input Reference: **Frame (Net Finished Opening)**

Frame Width:

Pre-Fit Width: 3/16" Custom

Net Door Width: 29 13/16

Frame Height:

Pre-Fit Height: 1/8"

Door Undercut:

3. Enter dimensions either by the frame size or door size. The correct pre-fit and undercut dimensions for your chosen jamb prep will be selected by default.

4. Hinge options will default to the concealed hinge model, size and locations recommended by the manufacturer for your chosen jamb prep. If necessary, hinge locations can be adjusted and lock prep specifications can be entered.

Main Machining Custom Drawings

Special System Prep: Dorr Houzzer - Ghost

Hinges:

Hinge Supplier: Not Supplied – Prep Only

Brand:

Series:

Model:

Template: 340

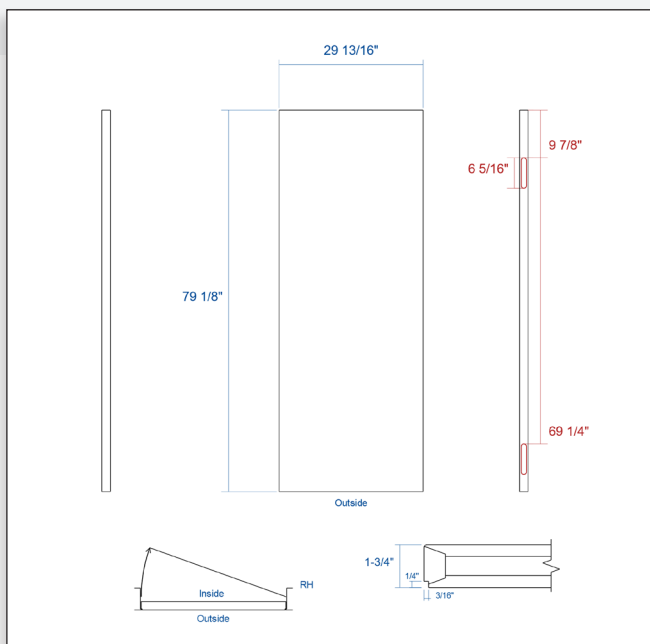
Template Revision: N/A

Hinge Pilot Holes: Yes No

Quantity (Per Leaf):

Hinge 1 Location (From Top Of Door):

Hinge 2 Location:



5. Once selections are finalized, TruQuote will generate detailed shop drawings complete with machining details. These drawings can help coordinate with the manufacturer of your selected jamb when ordering.