

# TruStile Resilient™ Wood Entry System and Reserve™ Wood Entry System Mulling Instructions



## TruStile Resilient™ Wood Entry Door and Reserve™ Wood Entry Door

ABSTRACT: Please read these instructions in their entirety before beginning to install your TruStile Resilient™ Wood Entry Door and Reserve™ Wood Entry Door product. These installation instructions demonstrate the installation of a TruStile door in new wood frame construction using an industry approved water management system. For installation using other construction methods, such as remodeling, replacement, and recessed openings refer to ASTM E2112-07, "Standard Practice for Installation of Exterior Windows, Doors and Skylights," for installation suggestions. The same information for ASTM E2112 can be found on the ASTM website, [www.astm.org](http://www.astm.org). Regional standard practices, environmental conditions, and codes may vary and supersede the procedures contained within. The responsibility for compliance is yours: the installer, inspector, and owner(s). These instructions are applicable for the following products: TruStile Resilient™ Wood Entry Door and Reserve™ Wood Entry Door

## Table of Contents

TruStile Resilient™ Wood Entry System and Reserve™ Wood Entry System	1
Mulling Instructions	1
Installer and Builder Information	3
After Market Products	3
Tools and Supplies Needed	3
Direct Mull Assembly	4

NOTE: Numbers listed in parentheses () are metric equivalents in millimeters rounded to the nearest whole number.



### WARNING!

Always practice safety! Wear the appropriate eye, ear, and hand protection, especially when working with power tools.



### WARNING!

This door is glazed with safety glass (tempered or laminated) and if broken must be replaced with safety glass. This is in accordance with state and federal laws.



### WARNING!

Older homes may contain lead-based paint, which may be disturbed when replacing doors or performing renovations. Consult state or local authorities for safe handling, disposal, or abatement requirements. For information, go to [www.epa.gov/lead](http://www.epa.gov/lead).

## Important

Please consult with local authorities to properly dispose and/or recycle all packaging, materials, and waste.

## Installer and Builder Information

- Always provide a copy of these instructions for the current homeowner.
- Plan sizing of rough opening and clearance from exterior finishing systems to allow for normal materials shrinkage or shifting (e.g. wood structure with brick veneer; allow adequate clearance at the sill). Failure to do so can void the TruStile warranty coverage.
- Refer to the Technical Installation Specifications section for technical specifications regarding the installation of this product. These installation requirements as well as the details in the section must be followed to achieve the advertised design pressure (DP) rating of this product.
- It is the responsibility of the builder, installer, and sub-contractors to protect the interior and exterior of doors from contact with harsh chemical washes, construction material contamination and moisture. Damage to glazing, hardware, weather strip and cladding/wood can occur. Protect with painters tape and/or protective sheathing as required. Follow all guidelines regarding material use, preparation, personal safety and disposal.
- Refer to the enclosed painting and staining instructions for exterior and interior finish instructions.
- Contact your TruStile supplier if you have any questions regarding product and materials used in manufacturing or questions on replacement parts.
- Please refer to the PDF version of this instruction for further information regarding best practices installer and builder information, code, and other legal requirements. The PDF version is the official document of record.

## After Market Products

Alterations to TruStile products including door films, insulating or reflective interior door treatments or additional glazings can cause excessive heat buildup and/or condensation. They may lead to premature failures not covered under warranty by TruStile. Before purchasing or applying any product that may affect the installation or performance of TruStile doors, contact the manufacturer of after-market product/glazings that are not supplied by TruStile and request written product use, associated warranties and damage coverage. Provide this information and warranties to the end user and/or building owner for future reference.

## Tools and Supplies Needed

- Safety glasses Hearing protection
- Tape measure Level
- Scissors Utility knife
- Hammer 2 - 12" (1 x 2) Cross braces
- 1/8" drill bit Square
- Staple gun 15/16" crown x 1/2" staples
- Staple gun for corrugated staples
- GS 16 1/2" x 1/2" corrugated staples
- 1 1/4" flat head wood screws(for transom)
- Screw gun with #2 Phillips bit
- Grade NS Class 25 sealant per ASTM C920 (transparent color)
- APA AFG--01 spec (or equivalent) sealant/adhesive w/gun

# Direct Mull Assembly

NOTE: Transom shape will vary.

1. Lay all parts of assembly on a protected surface interior side down.
2. Apply two beads of sealant (approximately 3/16" thickness) between transom frame and door head jamb. Align transom with door frame. See figure 1.

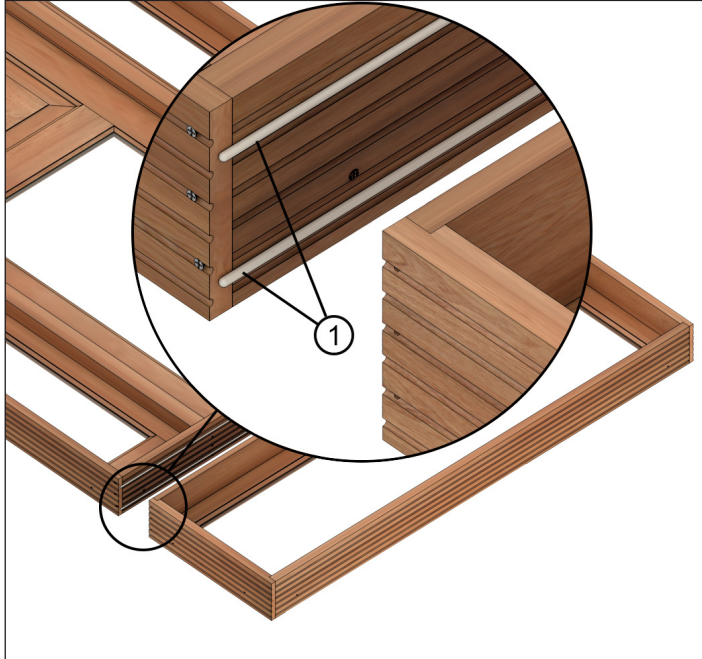


Figure 1

1	Sealant
---	---------

3. Fasten the door to the transom with appropriate screws through pre drilled holes.

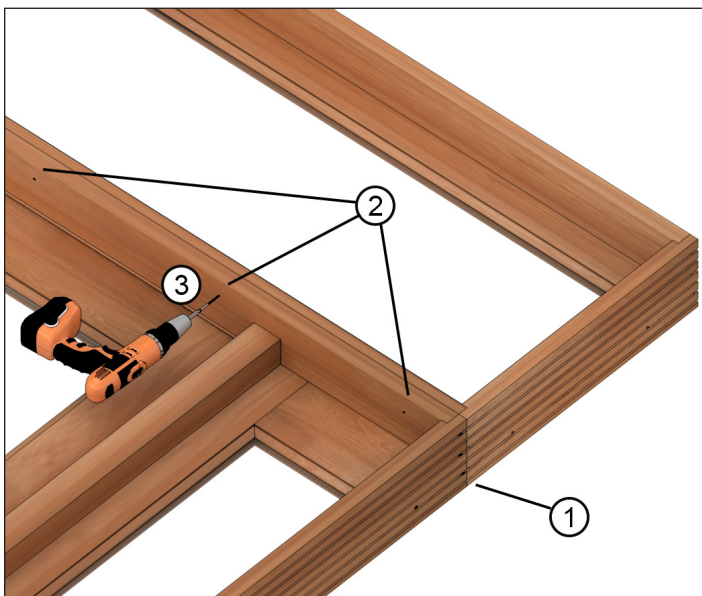


Figure 2

1	Direct Mull
2	Pre Drilled Holes
3	Fastener Screws

## Sidelite Mull

1. Lay all parts of assembly on a protected surface interior side down.
2. Apply two beads of sealant (approximately 3/16" thickness) between the door jamb and sidelite jamb. Align sidelite with door frame. See figure 1.

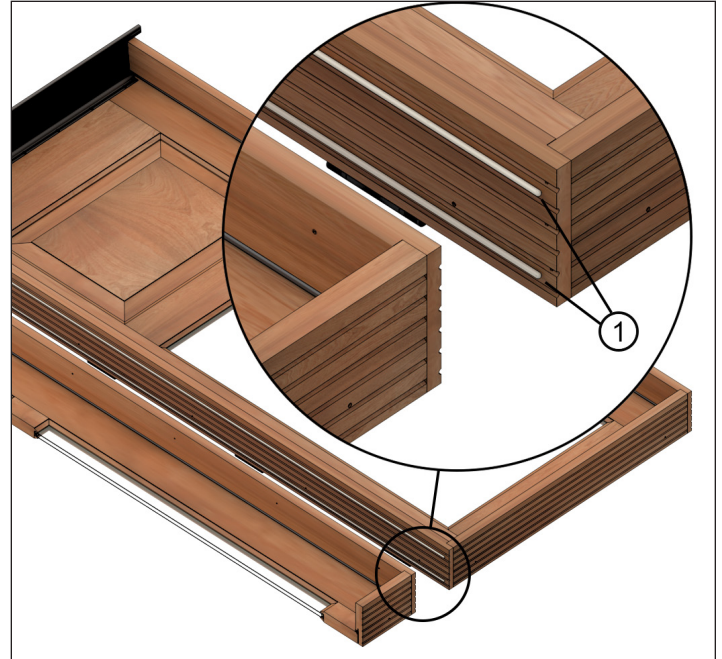


Figure 1

1	Sealant
---	---------

3. Fasten the door to the sidelite with appropriate screws through pre drilled holes.

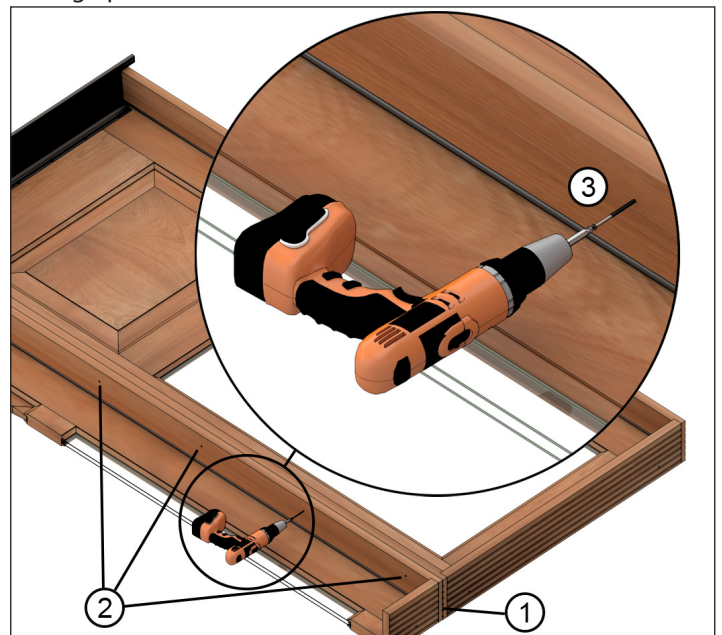


Figure 2

1	Direct Mull
2	Pre Drilled Holes
3	Fastener Screws